

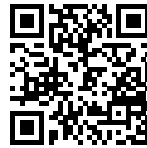
## UNIKA 340 GUN METAL SOUS PLAN



Kitchen Sinks

Code: N153 S56

UNIKA R15 BOWL 340x400 SOUSPLAN GUNMETAL



### DETAILS

Coloring Gun Metal

---

Edge/Installation Type Undermount

---

Finish PVD

---

Material AISI 304 stainless steel

---

Texture Foster brushed

---

Base 45 cm

---

Dimensions 380x440 mm

---

Standard fittings Fixing hooks, gasket, drain, overflow and siphon, boxed packing

---

Mixer holes No standard holes

Built-in hole [View technical data sheet](#)

---

Drainer No

---

Width 38 cm

---

Bowl dimension 340x400mm

---

Number of bowls 1 bowl

---

Waste fitting 3,5" drain

---

## FEATURES

**Gun Metal** The Gun Metal finish is obtained by treating steel with a physical process called PVD (Physical Vacuum Deposition) which deposits particles of noble metals on the surface. The result is a unique and refined aesthetic effect, and an improvement of the mechanical properties of the steel which is more resistant to impact and scratches.

---

**Basket 3,5" waste fitting** The drain is equipped with a large 3.5" drain, with the practical basket cap that prevents the discharge of solid parts.

---

**High thickness** 1mm thick steel. A significant thickness, which guarantees the maximum sturdiness and durability.

---

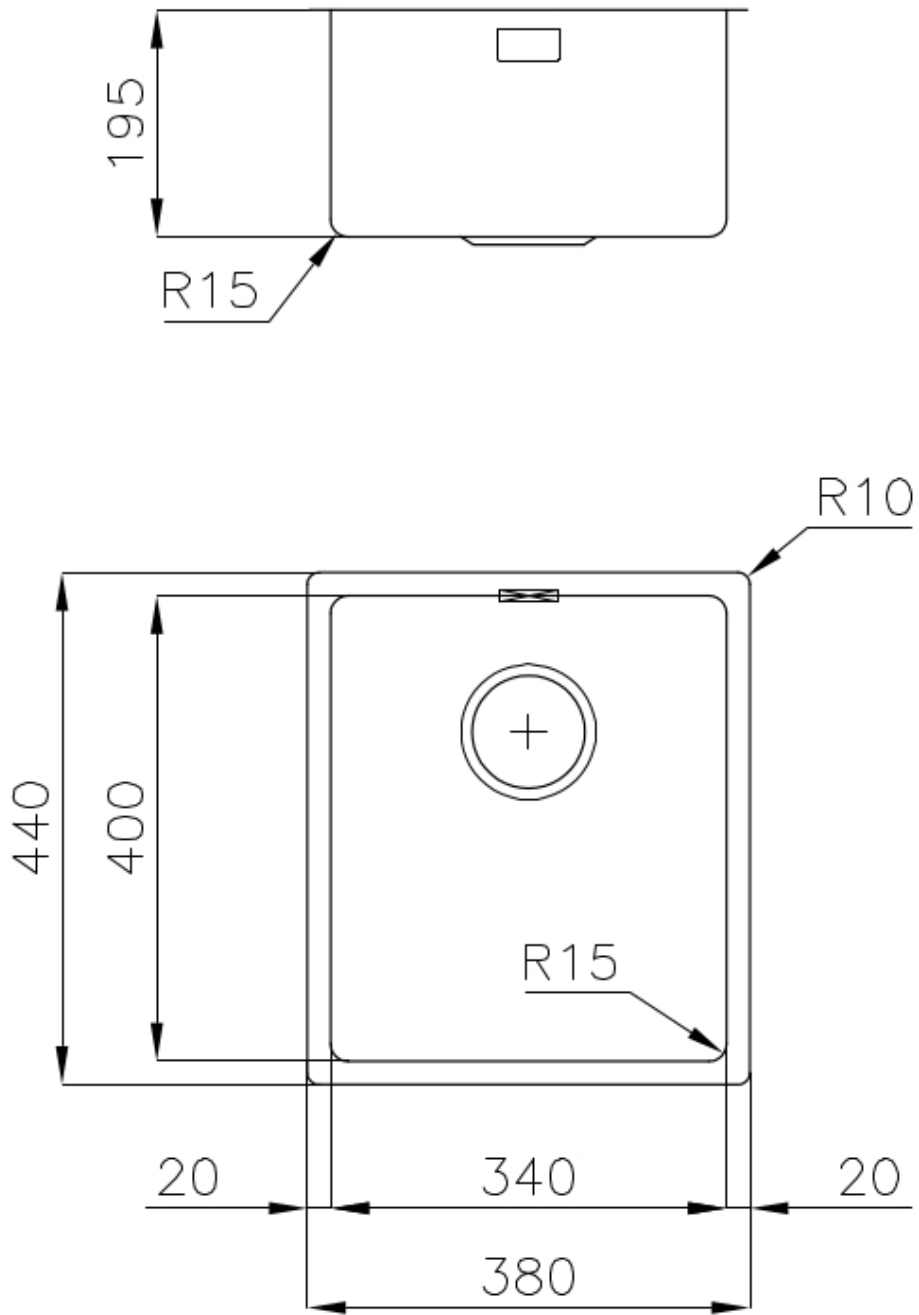
**Perimetral overflow** The overflow is always a security on the Foster sinks that prevents the overflow of water in case of oversights. The perimeter drain solution improves aesthetics thanks to its square and essential shape.

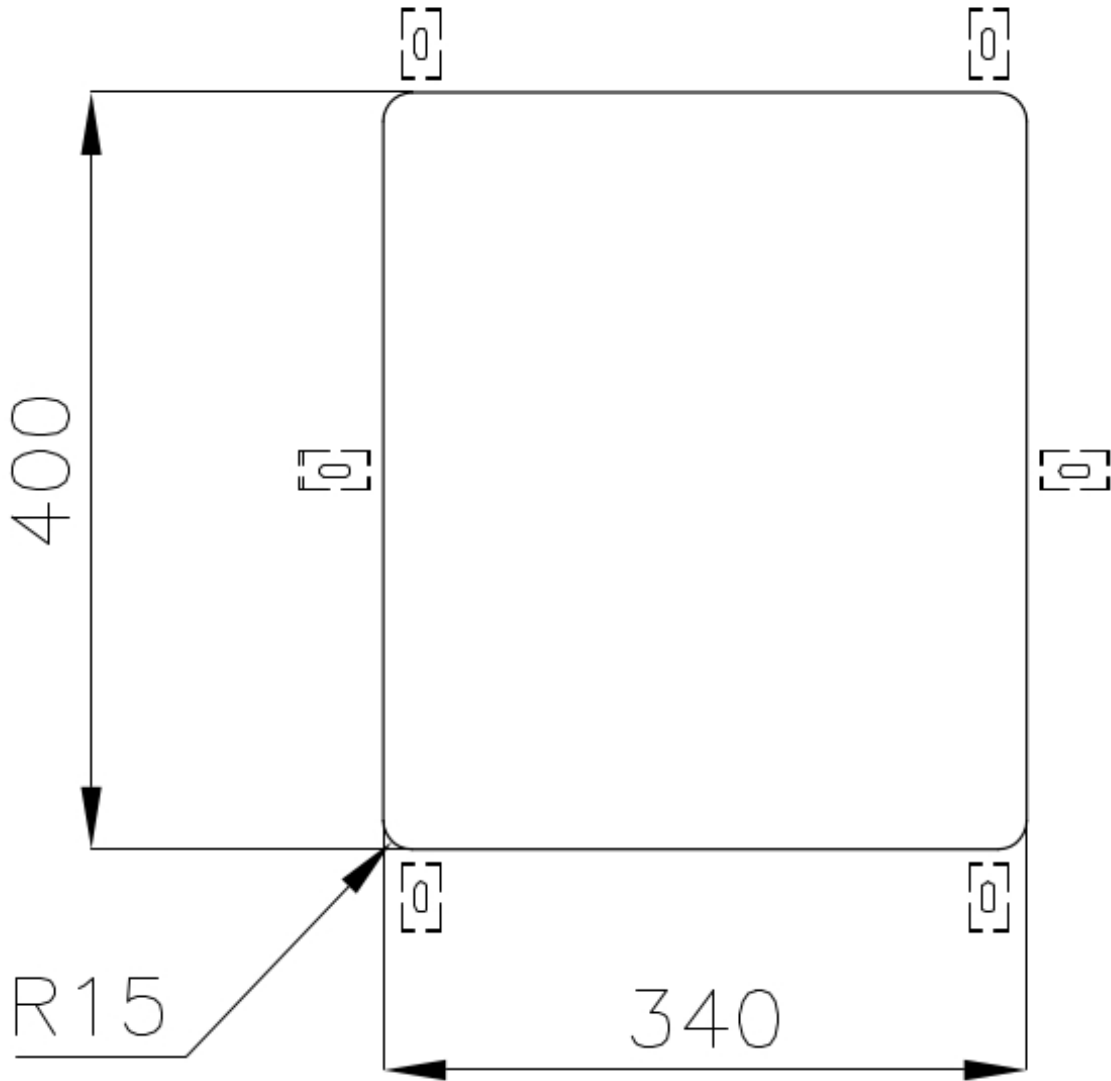
---

**Small radius** Bowls with squared shapes with a modern design and an increased capacity, for a minimal aesthetics connected with an extreme practicality.

---

## TECHNICAL DATA





Cut out size  
Dimensioni per foratura top

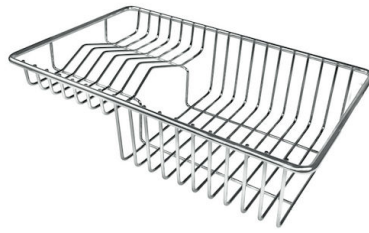
## GALLERY



## OPTIONAL ACCESSORIES



**CUVETTE PLASTIQUE BLANCHE**  
A153 A00



**GRILLE POR.ASSIETTES INOX**  
**mm214x379**  
A100 C03  
\* only in combination with the accessory  
A644 A01



**PANIER INOX POUR CUVE 34x40**  
**CM**  
A611 F00



**PLANCHE DE DECOUPE CRYSTAL**  
**23x41 CM**  
A631 C00



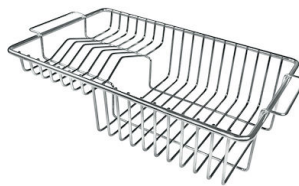
**PLANCHE DE DECOUPE DOUBLE**  
**HDPE**  
A644 A01



**PLANCHE DE DECOUPE HDPE**  
**27x42 CM**  
A657 F01



**CUVETTE INOX PERFOREE**  
A151 F00  
\* only in combination with the accessory  
A644 A01



**GRILLE PORTE-ASSIETTES INOX**  
**250x425**  
A100 B01



**KIT RÂPES ET PLANCHE DE**  
**DECOUPE HDPE**  
A159 A01  
\* only in combination with the accessory  
A644 A01

## RECOMMENDED PAIRINGS



**INCISO GUN METAL**  
R424 S56



**VERONA GUN METAL**  
R497 S56

## OPTIONAL AUTOMATIC WASTE FITTINGS



**VIDAGE FADE PUSH GUN METAL**  
A407 A20